

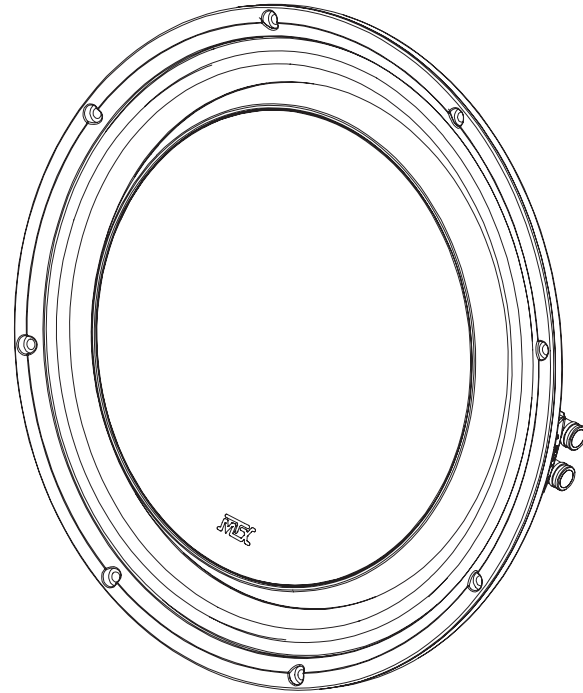
TNL12-44S

12" Dual 4Ω Shallow Subwoofer

Parameters

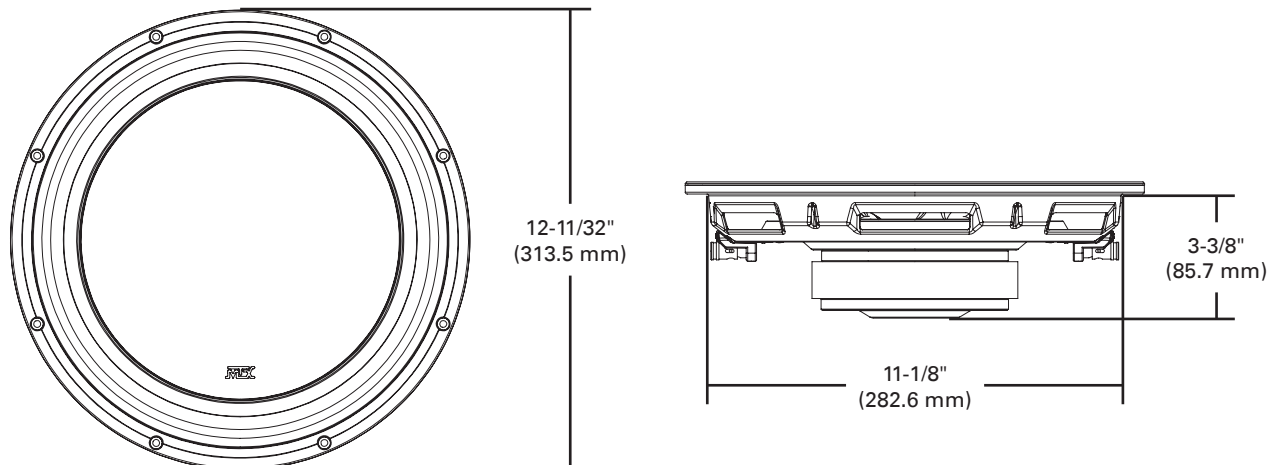
Los parámetros, Paramètres, Parameter

Fs: 27 Hz
Qms: 4.26
Cms: 0.167 mm/N
Mms: 211.7 g
Rms: 8.497 kg/s
Vas: 2.72 ft³ (77 liters)
Xmax: 0.402 in (10.21 mm)
D: 10.64 in (270.3 mm)
Sd: 88.91 in² (573.6 cm²)
Vd: 35.33 in³ (0.579 liters)
Qes: 0.95
Re: 1.67 Ω
Bl: 7.92 Tm
Prms: 400 Watts
Qts: 0.78
η₀: 0.154%
SPL₀: 84 dB
SPL 2.83V/1m: 90.9 dB



Specifications

Las especificaciones, Specifications, Spezifikationen



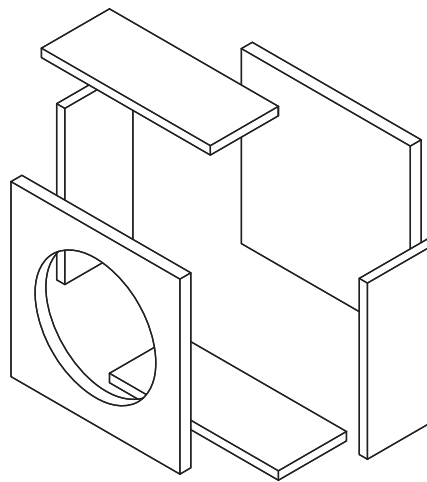
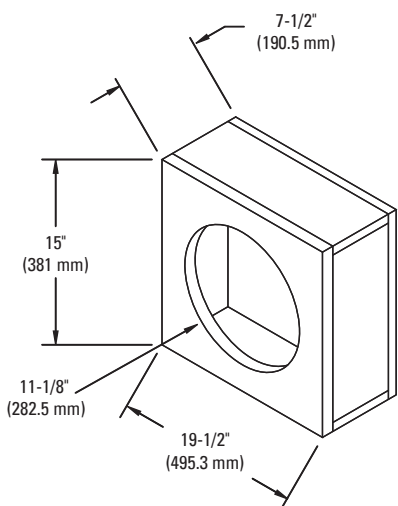
Recommended Power Rating of 200 - 400 Watts RMS
La Potencia nominal recomendada, Le Pouvoir recommandé Evaluant, Empfohlene Kraft Einzuschätze

TNL12-44S Recommended Enclosures

For the best possible sound quality where space is a premium, MTX recommends using a sealed enclosure. For excellent sound quality with increased output compared to sealed enclosures (3dB or more), MTX recommends using a vented enclosure. All recommended enclosures have been designed and thoroughly tested by MTX. For additional enclosure designs check the MTX website.

Sealed Enclosure

El Cerco sellado, Cloture scellée, Abgedichtete Einschließung



Net Internal Volume: 0.84 ft³
Recommended Box Volume: 0.75 - 0.95 ft³