

### Warranty Statement

Thunderform Loaded Enclosures purchased in the United States from an authorized MTX dealer are guaranteed against defects in material and workmanship for a period of two years from the date purchased by the end user, and limited to the original retail purchaser of the product.

Amplified Thunderform Enclosures purchased in the United States from an authorized MTX dealer are guaranteed against defects in material and workmanship for a period of one year from the date purchased by the end user, and limited to the original retail purchaser of the product.

Product found to be defective during that period will be repaired or replaced by MTX at no charge. This warranty is void if it is determined that unauthorized parties have attempted repairs or alterations of any nature. Warranty does not extend to cosmetics or finish. Before presuming a defect is present in the product, be certain that all related equipment and wiring is functioning properly. MTX disclaims any liability for other incurred damages resulting from product defects. Any expenses incurred in the removal and reinstallation of products are not covered by this warranty. MTX's total liability will not exceed the purchase price of the product. If a defect is present, your authorized MTX dealer may be able to effect repairs.

Proof of purchase is required when requesting service, so please retain your sales receipt and take a moment to register your product online at [mtx.com](http://mtx.com).



## FORD F-250/F-350 SUPER CAB



### Vehicle Specific Subwoofer Enclosure

**Made in the USA**

**MAXIMIZE YOUR SYSTEM'S  
PERFORMANCE**

[streetwires.com](http://streetwires.com)

**STREETWIRES**



One Mitek Plaza, Winslow, IL. 61089  
1-800-225-5689 [mtx.com](http://mtx.com)

**READ ALL DIRECTIONS CAREFULLY BEFORE BEGINNING**

**MOUNTING LOCATION:** The enclosure mounts under the rear seat, firing up, in Ford F-250/F-350 Super Cab Trucks.

**TOOLS REQUIRED FOR INSTALLATION:**

- |                         |                      |
|-------------------------|----------------------|
| Powered Screwdriver     | #2 Phillips Head Bit |
| Wire Cutters            | 5/16" Wrench         |
| 6" Bit Holder Extension |                      |

**INSTALLATION:** Follow the steps below

1. Slide front seats to full forward position and fold up rear seats. This will give you more room to work with.
2. Remove jack tools from floor and set them aside (you will reinstall them later in Step 23). The jack does not need to be removed and stays in factory location.
3. You may want someone to help you for this step. Lift enclosure into your truck and place it on the floor behind the front seats with the woofers facing up.
4. If externally amplified, make speaker connections to the enclosure from the amplifier. Connect speaker wires from amplifier to enclosure, positive to red terminal and negative to black terminal.

**AMPLIFIED THUNDERFORM**

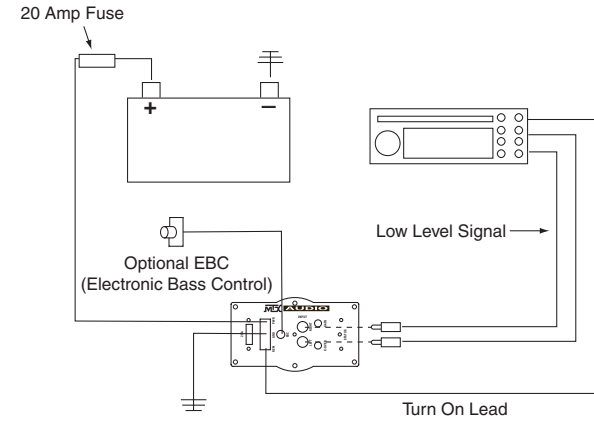
**Routing Power Wire; we recommend a connection directly to the battery.**

5. Remove drivers side and passenger side threshold trim; pull up on trim, it will remove easily.



6. Using furnished wiring harness route 10ga red power wire starting at pre-amp location. Route wire on drivers side, over to threshold and under carpet to the front of vehicle.

**Conventional Wiring of Aftermarket Radio**



20. Reinstall threshold trim. Locate and align holes in vehicle with pins on trim; and snap back into place.

21. Place the drivers side of enclosure in first, so it fits into the seat bracket. Then slide the passenger side, so the enclosure is tight against the seat bottom.



22. Using the supplied hardware, secure the enclosure to floor of vehicle as shown below.



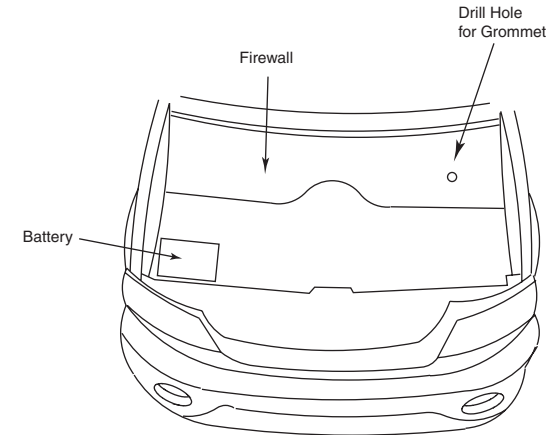
23. Slide jack tools into center compartment under enclosure.

**For technical assistance call 1-800-CALL MTX.**

*These instructions are guidelines only and in no way are intended to replace a professional installation. As always before screwing or drilling check to make sure you will not damage any wires or hoses or cause damage to the vehicle.*

**Warning:** Batteries normally produce explosive gases which can cause personal injury. Therefore, do not allow flames, sparks or lighted substances to come near the battery. When charging or working near a battery, always shield your face and protect your eyes. Always provide ventilation.

7. Open hood.



8. Drill a hole through the fire wall. Locate a spot low on the fire wall on the passenger side. You should always look to find a clear path. Drill a hole from inside of the vehicle into engine compartment and insert grommet. You may also find a pre-existing, unused rubber grommet in this location that you can pass the wire through.

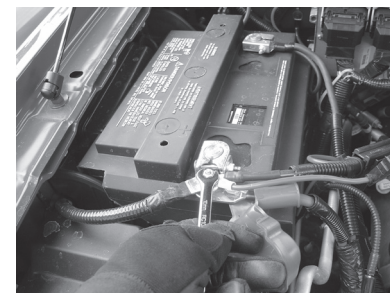
**Note:** To avoid any damage to parts inside engine compartment, drill from inside of vehicle using a short bit.

9. Route 10ga red power wire through a grommet into the engine compartment.

10. Route 10ga red power wire through engine compartment safely away from any moving or hot parts that could damage the wire.

11. Cut 10ga red power wire to length, connect the supplied fuse holder from the wire kit to the end of the wire.

12. Remove 20amp fuse from MTX fuse holder. Connect furnished ring terminal to positive side of battery. Remove 5/16" bolt from factory battery terminal. Place ring terminal on battery post and retighten nut.



### Ignition OFF When Disconnecting Battery

Always turn the ignition OFF when connecting or disconnecting battery cables. Failing to do so may damage electronic components.

13. Ground amplifier to chassis of vehicle; connect the terminal provided to the 10ga black wire from furnished wiring harness. A good ground is as important as the power connection. The ground should be as short as possible and the contact point should be free of paint and debris.

*As always, before screwing or drilling check to make sure you will not damage any wires, hoses or cause damage to the vehicle.*

### Factory Speaker Wire Colors

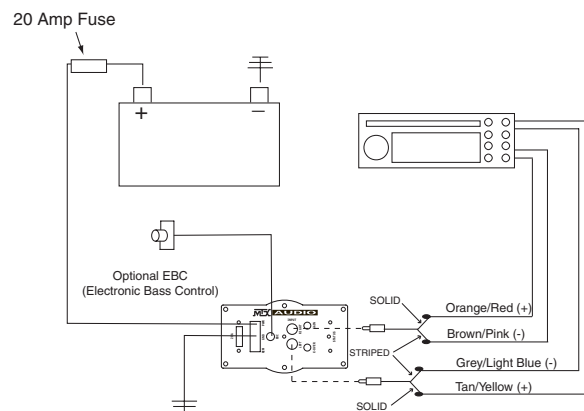
14. In the channel on drivers' side threshold, locate the left rear speaker wires wrapped in black tape. Wire colors for the left rear speakers are: tan/yellow (positive) and grey/light blue (negative). In channel on the passenger side threshold, locate the right rear speaker wires. Right rear speaker wire colors are: orange/red (positive) and brown/pink (negative). Tap into wires with the supplied RCA High Level input wires and route over to passenger side threshold and to pre-amp of enclosure

*Although, MTX has made every effort to assure proper wiring colors, MTX is not responsible for any changes made by the vehicle manufacturer which sometime occur. If wiring colors do not match then physical verification is required.*

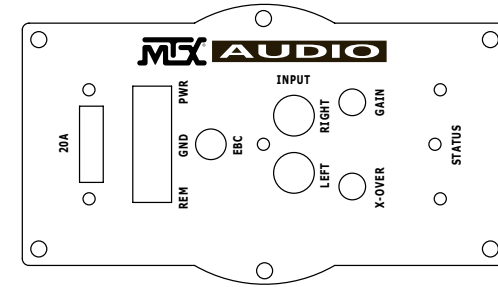
### CONNECTION TO ENCLOSURE

15. Connect speaker wire RCA's to the inputs of pre-amp.

*Note: Patented BTL turn on circuitry- amplifier senses DC offset provided by "high powered" or BTL type head units. This feature turns the amplifier on automatically if you are using high level inputs.*



16. Plug power wire harness into amplifier pre-amp.



17. Replace 20amp fuse under hood.

18. When amp turns on, LED will display red during diagnostic mode, and then green, signaling amp is on and functioning. Amp will only turn on when radio is on.

19. Adjust gain and crossover.

### Setting Gain

Turn gain knob on Thunderform pre-amp to minimum, counter clockwise. Play a favorite tape or compact disc that contains consistent music and bass. Turn the source unit to maximum listening level. You may want to turn down the bass slightly on the source unit. You should know that some source units will produce distortion or "clip" before the unit reaches maximum volume. Reduce volume to the loudest listening level before distortion. Turn the gain knob on the Thundeform pre-amp clockwise until the speaker starts to distort and reduce gain to loudest listening level before distortion.

**Optional-** The EBC, or Electronic Bass Control, allows a remote bass control to be adjusted from the driver's seat.

### Setting Crossover

You should set the crossover to your own personal listening taste. The crossover is adjustable to any frequency between 50Hz (counterclockwise) to 150Hz (clockwise). As a guideline, the goal is to create the illusion of bass up front. The higher the crossover point the more "audibly visible" your sub is going to be. Take your time and really listen to your system, grab a soda and a few of your favorite tunes and have fun.

### TROUBLESHOOTING TIPS IF AMP DOES NOT TURN ON

*Check all connections at battery and that fuse is installed*

*Check speaker wire connections*

*Check ground*

*Check fuse on pre-amp*