

### Warranty Statement

ThunderForm Loaded Enclosures purchased in the United States from an authorized MTX dealer are guaranteed against defects in material and workmanship for a period of two years from the date purchased by the end user, and limited to the original retail purchaser of the product.

Amplified ThunderForm Enclosures purchased in the United States from an authorized MTX dealer are guaranteed against defects in material and workmanship for a period of one year from the date purchased by the end user, and limited to the original retail purchaser of the product.

Product found to be defective during that period will be repaired or replaced by MTX at no charge. This warranty is void if it is determined that unauthorized parties have attempted repairs or alterations of any nature. Warranty does not extend to cosmetics or finish. Before presuming a defect is present in the product, be certain that all related equipment and wiring is functioning properly. MTX disclaims any liability for other incurred damages resulting from product defects. Any expenses incurred in the removal and reinstallation of products are not covered by this warranty. MTX's total liability will not exceed the purchase price of the product. If a defect is present, your authorized MTX dealer may be able to effect repairs.

Proof of purchase is required when requesting service, so please retain your sales receipt and take a moment to register your product online at [mtx.com](http://mtx.com).



## FORD EXPLORER SPORT TRAC



Vehicle Specific Subwoofer Enclosure

Made in the USA

MAXIMIZE YOUR SYSTEM'S  
PERFORMANCE

[streetwires.com](http://streetwires.com)

**STREETWIRES**



One Mitek Plaza, Winslow, IL. 61089  
1-800-225-5689 [mtx.com](http://mtx.com)

21A8403

**READ ALL DIRECTIONS CAREFULLY BEFORE BEGINNING**

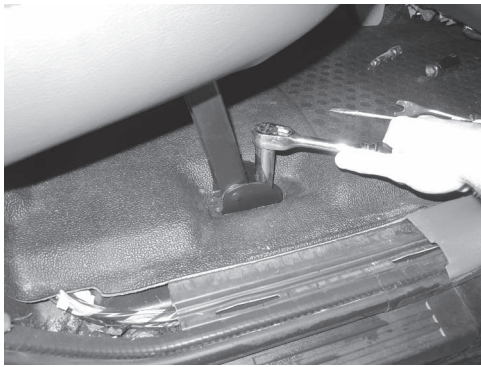
**MOUNTING LOCATION:** The enclosure mounts under rear, passengers' side seat firing down, in the Ford Explorer Sport Trac's.

**TOOLS REQUIRED FOR INSTALLATION:**

- |                         |                      |
|-------------------------|----------------------|
| Powered Screwdriver     | #2 Phillips Head Bit |
| 6" Bit Holder Extension | Wire Cutters         |
| 15mm Socket             | 5/16" Wrench         |
| Socket Wrench           |                      |

**INSTALLATION:** Follow the steps below

1. Move passengers' side front seat to full forward position, to allow more room to work.
2. Remove the two 15mm nuts holding the rear, passengers' side seat brackets to the floor.

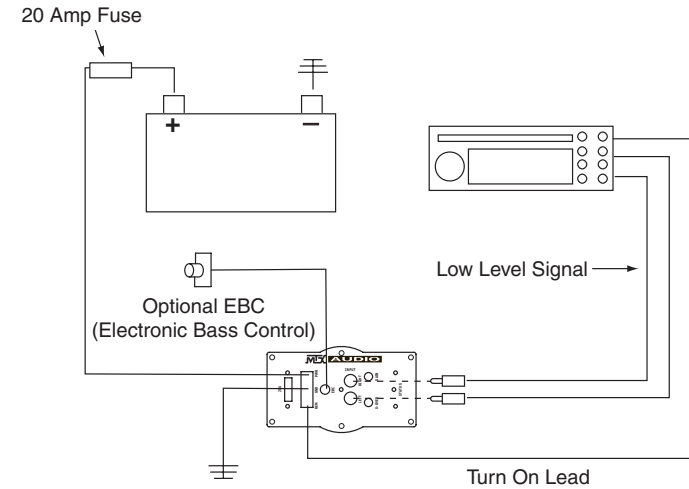


3. Lift enclosure into your vehicle and place it on the floor behind the front seat with the woofer facing down.
4. Lift up the seat, moving seat brackets out of the way and slide enclosure into place.



5. Do not mount down your enclosure until all wire connections are made.
6. If externally amplified, make speaker connections to the enclosure from the amplifier, positive to red terminal and negative to black terminal. Skip to step 23.

**Conventional Wiring of Aftermarket Radio**



**Optional-** The EBC, or Electronic Bass Control, allows a remote bass control to be adjusted from the drivers' seat.

### Setting Crossover

You should set the crossover to your own personal listening taste. The crossover is adjustable to any frequency between 50Hz (counterclockwise) to 150Hz (clockwise). As a guideline, the goal is to create the illusion of bass up front. The higher the crossover point the more "audibly visible" your sub is going to be. Take your time and really listen to your system, grab a soda and a few of your favorite tunes and have fun.

### TROUBLESHOOTING TIPS IF AMP DOES NOT TURN ON

*Check all connections at battery and that fuse is installed*

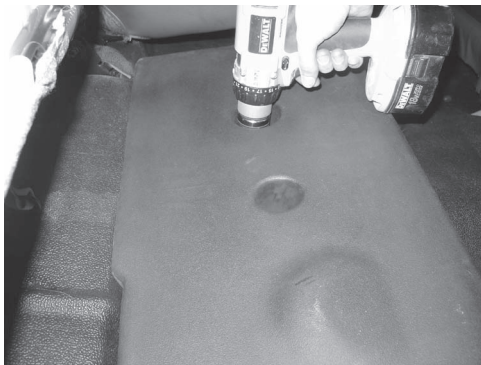
*Check speaker wire connections*

*Check ground*

*Check fuse on pre-amp*

**22.** Reinstall threshold trim. Locate and align holes in vehicle with pins on trim, and snap back into place.

**23.** Using the supplied hardware, secure enclosure to the floor.



**As always, before screwing or drilling check to make sure you will not damage any wires, hoses or cause damage to the vehicle.**

**24.** Place seat brackets back down over the enclosure and bolt into place.

**For technical assistance call 1-800-CALL MTX.**

*These instructions are guidelines only and in no way are intended to replace a professional installation. As always before screwing or drilling check to make sure you will not damage any wires or hoses or cause damage to the vehicle.*

**Warning:** Batteries normally produce explosive gases which can cause personal injury. Therefore, do not allow flames, sparks or lighted substances to come near the battery. When charging or working near a battery, always shield your face and protect your eyes. Always provide ventilation.

### AMPLIFIED THUNDERFORM

**Routing Power Wire; we recommend a connection directly to the battery.**

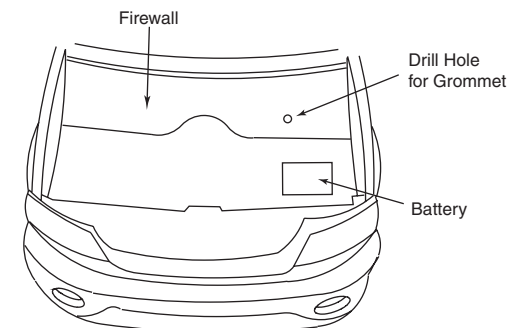
**7.** Remove drivers' side and passengers' side threshold trim to expose wire channel, pull up on trim, it will remove easily.



**8.** Using furnished wiring harness route 10ga red power wire starting at pre-amp location. Route wire to drivers' side, under floor cover, to threshold channel and to the front of vehicle.

**9.** Open hood.

**10.** Drill a hole through the fire wall. Locate a spot low on the fire wall on the drivers' side. You should always look to find a clear path. Drill a hole from inside of the vehicle into the engine compartment and insert grommet. You may also find a pre-existing, unused rubber grommet in this location that you can pass the wire through.



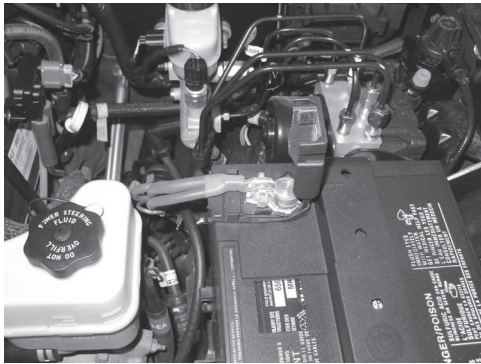
**Note: To avoid any damage to parts inside engine compartment, drill from inside of vehicle using a short bit.**

**11.** Route 10ga red power wire through a grommet into the engine compartment.

**12.** Route 10ga power wire through engine compartment safely away from an moving or hot parts that could damage the wire.

**13.** Cut 10ga red power wire to length, connect the supplied fuse holder from the wire kit to the end of the wire.

14. Remove 20amp fuse from MTX fuse holder. Connect furnished ring terminal to positive side of battery. Remove 5/16" nut from factory battery terminal. Place ring terminal on battery post and retighten nut.



### Ignition OFF When Disconnecting Battery

Always turn the ignition OFF when connecting or disconnecting battery cables. Failing to do so may damage electronic components.

15. Ground amplifier to chassis of vehicle; connect the terminal provided to the 10ga black wire from furnished wiring harness. A good ground is as important as the power connection. The ground should be as short as possible and the contact point should be free of paint and debris.

**As always, before screwing or drilling check to make sure you will not damage any wires, hoses or cause damage to the vehicle.**

### Factory Speaker Wire Colors

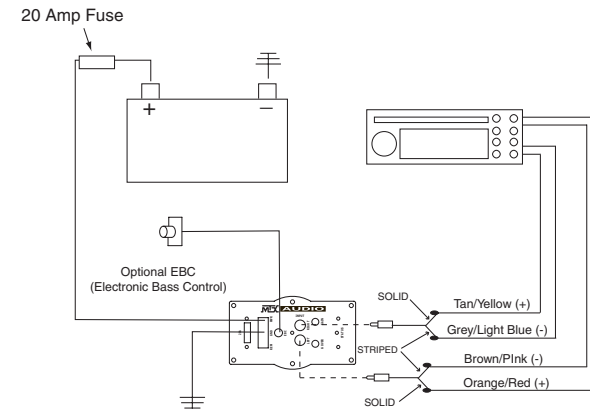
16. In the channel on drivers' side threshold, locate the left rear speaker wires twisted together and wrapped in black tape. Wire colors for the left rear speakers are: **Tan/Yellow (positive)** and **Grey/Light Blue (negative)**. In channel on the passengers' side threshold, locate the right rear speaker wires. The right rear speaker wire colors are: **Orange/Red (positive)** and **Brown/Pink (negative)**. Tap into wires with the supplied RCA High Level input wires and route under the carpet to pre-amp of enclosure.

*Although, MTX has made every effort to assure proper wiring colors, MTX is not responsible for any changes made by the vehicle manufacturer which sometime occur. If wiring colors do not match the physical verification is required.*

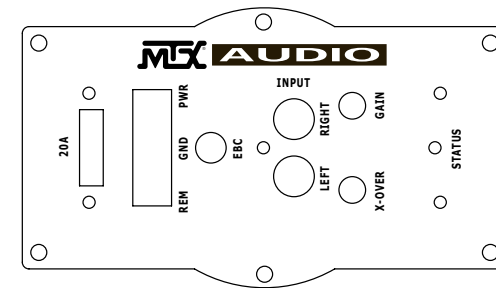
### CONNECTION TO ENCLOSURE

17. Connect speaker wire RCA's to the inputs of pre-amp.

*Note: Patented BTL turn on circuitry- amplifier senses DC offset provided by "high powered" or BTL type head units. This feature turns the amplifier on automatically if you are using high level inputs.*



18. Plug power wire harness into amplifier pre-amp.



19. Replace 20amp fuse under hood.

20. When amp turns on, LED will display red during diagnostic mode, and then green, signaling amp is on and functioning. Amp will only turn on when radio is on.

21. Adjust gain and crossover.

### Setting Gain

Turn gain knob on ThunderForm pre-amp to minimum, counter clockwise. Play a favorite tape or compact disc that contains consistent music and bass. At this point, adjust Bass and Treble settings to neutral or flat. Turn the source unit to maximum listening level. You should know that some source units will produce distortion or "clip" before the unit reaches maximum volume. Reduce volume to the loudest listening level before distortion. Turn the gain knob on the ThunderForm pre-amp clockwise until the speaker starts to distort and reduce gain to loudest listening level before distortion.