

Warranty Statement

ThunderForm Loaded Enclosures purchased in the United States from an authorized MTX dealer are guaranteed against defects in material and workmanship for a period of two years from the date purchased by the end user, and limited to the original retail purchaser of the product.

Amplified ThunderForm Enclosures purchased in the United States from an authorized MTX dealer are guaranteed against defects in material and workmanship for a period of one year from the date purchased by the end user, and limited to the original retail purchaser of the product.

Product found to be defective during that period will be repaired or replaced by MTX at no charge. This warranty is void if it is determined that unauthorized parties have attempted repairs or alterations of any nature. Warranty does not extend to cosmetics or finish. Before presuming a defect is present in the product, be certain that all related equipment and wiring is functioning properly. MTX disclaims any liability for other incurred damages resulting from product defects. Any expenses incurred in the removal and reinstallation of products are not covered by this warranty. MTX's total liability will not exceed the purchase price of the product. If a defect is present, your authorized MTX dealer may be able to effect repairs.

Proof of purchase is required when requesting service, so please retain your sales receipt and take a moment to register your warranty online at www.mtx.com.

MTX

THUNDERFORM®

FORD RANGER

And Mazda B Series



Vehicle Specific Subwoofer Enclosure

Made in the USA

Make Sure You Get Enough!

Connect with StreetWires,
the professional installer's
choice

STREETWIRES®

streetwires.com

MTX

One Mitek Plaza, Winslow, IL. 61089
1-800-225-5689 www.mtx.com

READ ALL DIRECTIONS CAREFULLY BEFORE BEGINNING

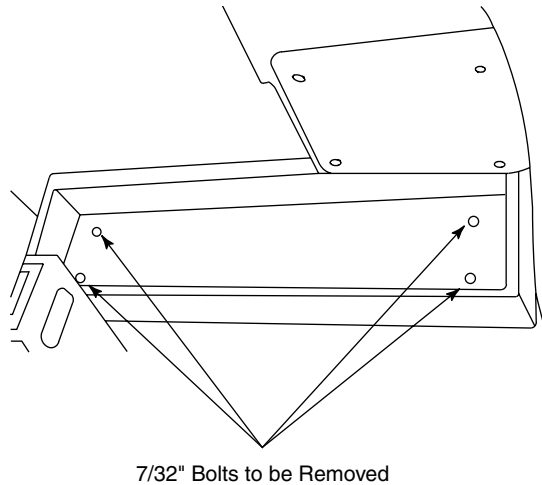
MOUNTING LOCATION: The enclosure mounts behind the seat directly behind driver in the Ranger or a Mazda B-Series regular cab trucks.

TOOLS REQUIRED FOR INSTALLATION:

- | | |
|---------------------------|----------------|
| Phillips Head Screwdriver | Ratchet |
| 5/16" Socket | Wire Crimper |
| Wire Cutters | 3/8" Drill Bit |
| Power Drill | 7/32" Socket |

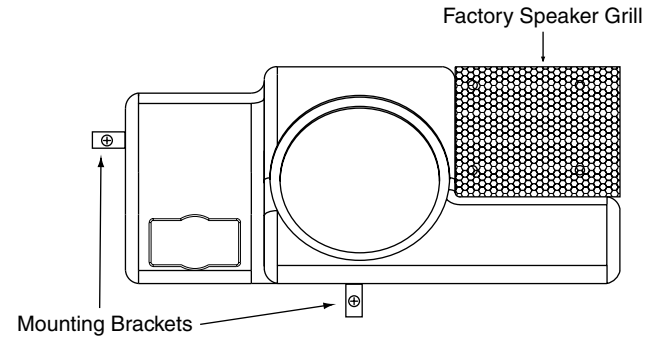
INSTALLATION: Follow the steps below

1. Remove rubber mat from bottom of tray behind driver seat by pulling up on tab. All models do not have this mat.
2. Remove tray by removing four 7/32 bolts from tray. Retain these items to replace if you sell the vehicle.



3. Attach one bracket provided to bottom of enclosure front beneath woofer. The other bracket provided attaches to the left side of the enclosure at the top towards the rear of the enclosure as shown below.

21. Screw enclosure into place as shown below.

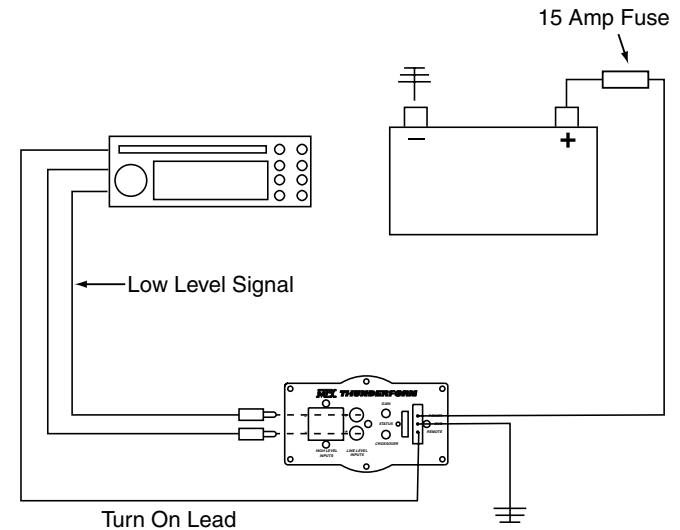


For technical assistance call 1-800-CALL MTX.

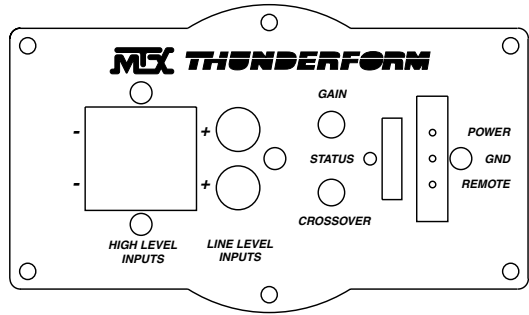
These instructions are guidelines only and in no way are intended to replace a professional installation. As always before screwing or drilling check to make sure you will not damage any wires or hoses or cause damage to the vehicle.

Warning: Batteries normally produce explosive gases which can cause personal injury. Therefore, do not allow flames, sparks or lighted substances to come near the battery. When charging or working near a battery, always shield your face and protect your eyes. Always provide ventilation.

Conventional Wiring of Aftermarket Radio



16. Plug power wire harness into amplifier pre-amp.



17. Replace 15amp fuse under hood.

18. When amp turns on, LED will display red during diagnostic mode and then to green, signaling amp is on and functioning (amp will only turn on when radio is on).

19. Adjust gain and crossover.

Setting Gain

Turn gain knob on Thunderform pre-amp to minimum, counter clockwise. Play a favorite tape or compact disc that contains consistent music and bass. Turn the source unit to maximum listening level. You should know that some source units will produce distortion or “clip” before the unit reaches maximum volume. Reduce volume to the loudest listening level before distortion. Turn the gain knob on the Thunderform pre-amp clockwise until the speaker starts to distort and reduce gain to loudest listening level before distortion.

Setting Crossover

You should set the crossover to your own personal listening taste. The crossover is adjustable to any frequency between 50Hz (counterclockwise) to 150Hz (clockwise). As a guideline, the goal is to create the illusion of bass up front. The higher the crossover point the more “audibly visible” your sub is going to be. Take your time and really listen to your system, grab a soda and a few of your favorite tunes and have fun.

TROUBLESHOOTING TIPS IF AMP DOES NOT TURN ON

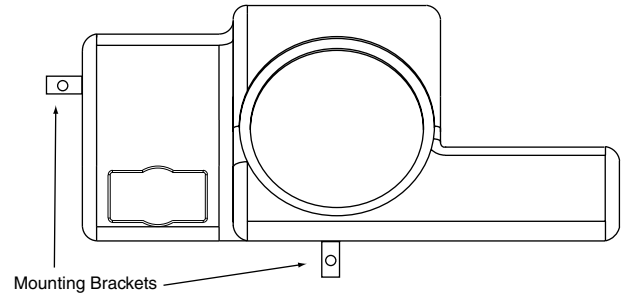
Check all connections at battery and that fuse is installed

Check speaker wire connections

Check ground

Check fuse on pre-amp

20. Reinstall kick panel on driver side. Replace threshold trim panel.



4. In front of the terminal cup there is a hole left where the factory tray was removed this is unseen with the seat in the normal driving position. You can repair this spot by cutting a small piece of carpet from beneath the tray location and gluing it into this hole or under the carpet in this spot.

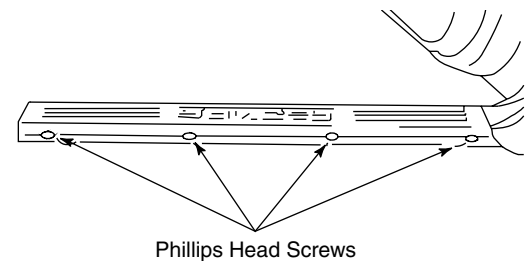
5. If externally amplified make speaker connections to the enclosure from your amplifier; loosen terminal knobs (a 13mm nut driver can be used). Connect wires from amplifier to enclosure, positive to red terminal knob and negative to black terminal knob. Refer to step 21 for mounting directions.

Suggestion: For a custom install, remove driver if loaded version or before woofer is installed in unloaded versions, screw into back of enclosure into rear of truck. Install driver.

AMPLIFIED THUNDERFORM

Routing Power Wire; we recommend a connection directly to the battery.

6. Remove drivers' side threshold trim: remove four phillips head screws and pull up on trim it will release easily.

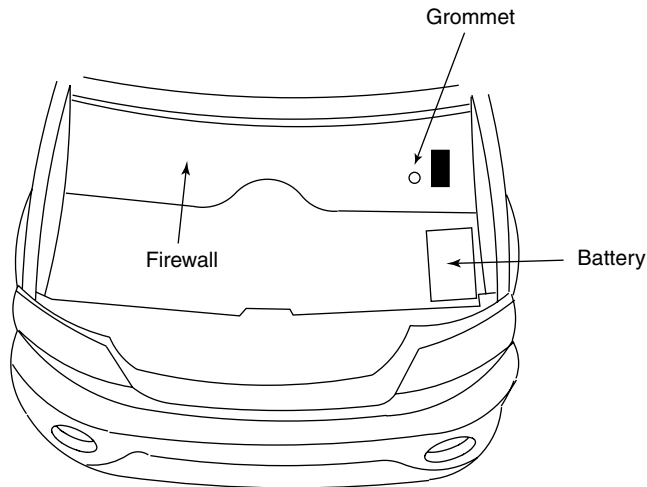


7. Remove drivers side kick panel, pull from bottom it will unsnap easily.

8. Route 10ga red power wire from furnished wiring harness starting at

pre-amp location. Route wire on driver's side, over to threshold and under carpet and kick panel to the front of the vehicle.

9. Drill a hole through the firewall. Locate a spot low on the firewall. You should always look to find a clear path. Drill a hole from inside of vehicle into engine compartment and insert grommet.

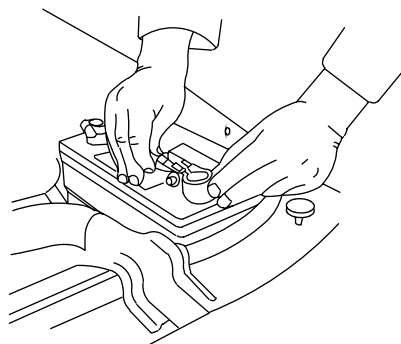


Note: To avoid any damage to parts inside engine compartment, drill from inside of vehicle using a short bit.

10. Route wire safely through engine compartment, avoiding any moving or extremely hot parts that would damage wire.

11. Cut 10ga red wire to length at battery and connect fuse holder to end of wire.

12. Remove 15amp fuse from MTX fuse holder and connect ring terminal to positive side of battery. By removing 5/16 bolt from factory battery terminal (lift the small tab on the factory battery terminal to allow rotation and removal of 5/16 bolt). Pass 5/16 bolt through factory battery terminal then ring terminal and into other side of factory battery terminal and retighten.

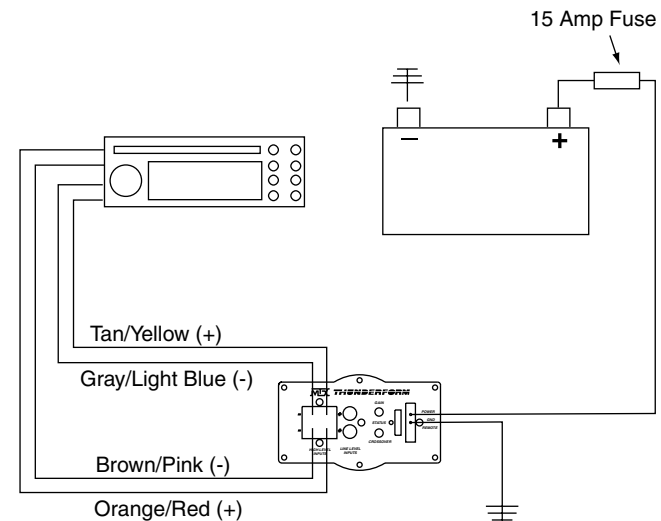


Note: When the battery is disconnected and reconnected, some abnormal drive symptoms may occur while the vehicle relearns its adaptive strategy. The vehicle may need to be driven 10 miles or more to relearn the strategy.

13. Ground amplifier to chassis of vehicle; connect the terminal provided to the 10ga black wire from furnished wiring harness. A good ground is as important as the power connection. The ground should be as short as possible and the contact point should be free of paint and debris.

SPEAKER WIRES

14. Under carpet on drivers' side threshold locate the rear speaker wires. Colors are left side, tan/yellow (positive), gray/light blue (negative). Right side, orange/red (positive), brown/pink (negative). Tap into wires and route to pre-amp of enclosure.



Although, MTX has made every effort to assure proper wiring colors, MTX is not responsible for any changes made by the vehicle manufacturer which sometime occur. If wiring colors do not match then physical verification is required.

CONNECTION TO ENCLOSURE

15. Connect speaker wires to high level inputs of pre-amp.

Note: Patented BTL turn on circuitry- amplifier senses DC offset provided by "high powered" or BTL type head units. This feature turns the amplifier on automatically if you are using high level inputs.