

Warranty Statement

ThunderForm Loaded Enclosures purchased in the USA from an authorized MTX dealer are guaranteed against defects in material and workmanship for a period of two years from the date purchased by the end user, and limited to the original retail purchaser of the product.

Amplified ThunderForm Enclosures purchased in the United States from an authorized MTX dealer are guaranteed against defects in material and workmanship for a period of one year from the date purchased by the end user, and limited to the original retail purchaser of the product.

Product found to be defective during that period will be repaired or replaced by MTX at no charge. This warranty is void if it is determined that unauthorized parties have attempted repairs or alterations of any nature. Warranty does not extend to cosmetics or finish. Before presuming a defect is present in the product, be certain that all related equipment and wiring is functioning properly. MTX disclaims any liability for other incurred damages resulting from product defects. Any expenses incurred in the removal and reinstallation of products are not covered by this warranty. MTX's total liability will not exceed the purchase price of the product. If a defect is present, your authorized MTX dealer may be able to effect repairs.

Proof of purchase is required when requesting service, so please retain your sales receipt and take a moment to register your product online at MTX.com. Also, a Return Authorization number (RA) is required before shipping product back to MTX, call 800-556-2888 or 608-328-5560 for speaker RA's.



DODGE MAGNUM WAGON



Vehicle Specific Subwoofer Enclosure

Made in the USA

MAXIMIZE YOUR SYSTEM'S
PERFORMANCE

streetwires.com

STREETWIRES®



One Mitek Plaza, Winslow, IL. 61089
1-800-225-5689 mtx.com

READ ALL DIRECTIONS CAREFULLY BEFORE BEGINNING

NOTES

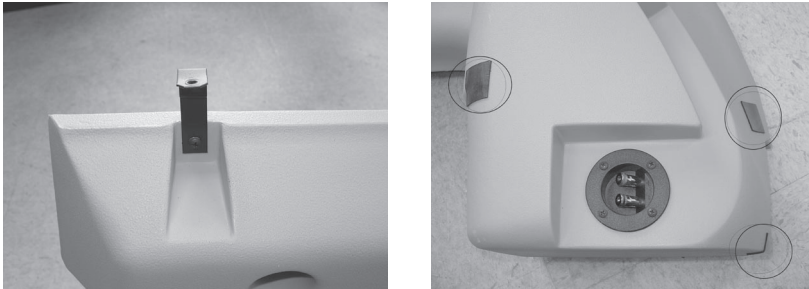
MOUNTING LOCATION: The enclosure mounts in the rear drivers' side panel behind the back seat, side-fire, in Dodge Magnum Wagons.

TOOLS REQUIRED FOR INSTALLATION:

- | | |
|-------------------------|----------------------|
| Powered Screwdriver | #2 Phillips Head Bit |
| 6" Bit Holder Extension | 10mm Socket |
| Socket Wrench | 7mm Socket |
| Wire Cutters | |

INSTALLATION: Follow the steps below

1. Attach the included mounting bracket and adhesive foam pads to your enclosure as shown below.



2. Using the supplied screws, attach the included speaker grill to the enclosure to prevent damage from cargo.

3. Remove the drivers' side tail light cover and set aside. Remove the 7mm screw from the rear speaker cover and set aside in a safe place, it will be reinstalled later.



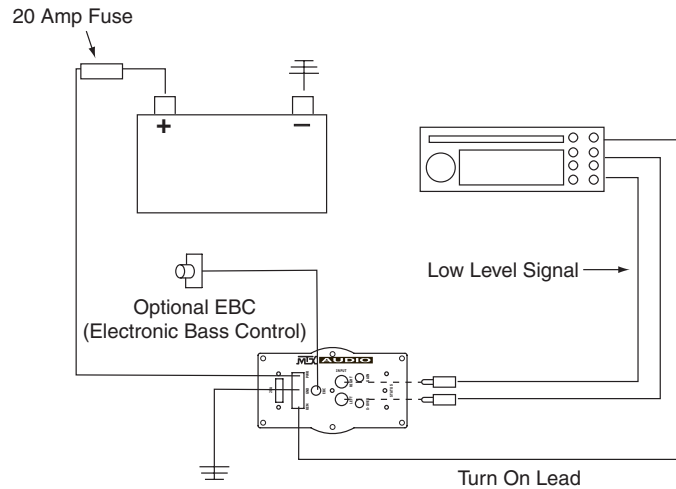
AMPLIFIED THUNDERFORM

Routing Power Wire; we recommend a connection directly to the battery.

4. Using furnished wiring harness, route 10ga red power wire starting at pre-amp location. Route wire through tail light opening, behind the panel, into the spare tire well and over to the battery.

5. Cut 10ga red power wire to length, connect the supplied fuse holder from the wire kit to the end of the wire.

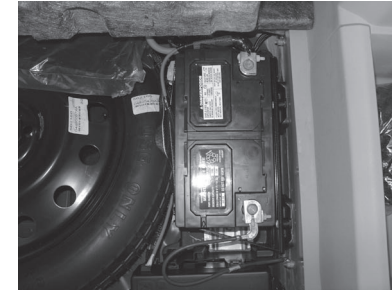
Conventional Wiring of Aftermarket Radio



Ignition OFF When Disconnecting Battery

Always turn the ignition OFF when connecting or disconnecting battery cables. Failing to do so may damage electronic components.

6. Remove 20 amp fuse from MTX fuse holder. Connect furnished ring terminal to positive side of battery. Remove 10mm nut from factory battery terminal. Place ring terminal on battery post and retighten nut. Battery is located to the right of the spare tire under cargo floor.



7. Ground amplifier to chassis of vehicle; connect the terminal provided to the 10ga black wire from furnished wiring harness. A good ground is as important as the power connection. The ground should be as short as possible and the contact point should be free of paint and debris.

Factory Speaker Wire Colors

Wire colors for the left rear speakers are: **Green/Orange (positive)** and **Green/White (negative)**. The right rear speaker wire colors are: **Green/Purple (positive)** and **Yellow/Grey (negative)**. Tap into wires with the supplied RCA High Level input wires and route under the carpet to pre-amp of enclosure.

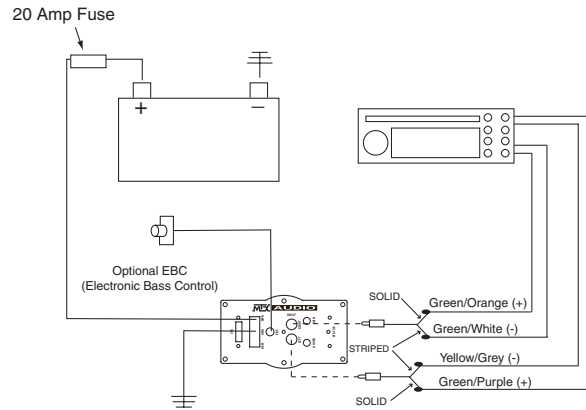
Although, MTX has made every effort to assure proper wiring colors, MTX is not responsible for any changes made by the vehicle manufacturer which sometime occur. If wiring colors do not match then physical verification is required.

CONNECTION TO ENCLOSURE

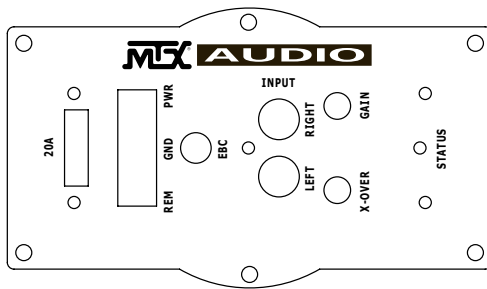
8. Set enclosure into cargo area of the vehicle.

9. Connect speaker wire RCA's to the inputs of pre-amp.

Note: Patented BTL turn on circuitry- amplifier senses DC offset provided by "high powered" or BTL type head units. This feature turns the amplifier on automatically if you are using high level inputs.



10. Plug power wire harness into amplifier pre-amp.



11. Replace 20amp fuse under hood.

12. When amp turns on, LED will display red during diagnostic mode, and then green, signaling amp is on and functioning. Amp will only turn on when radio is on.

13. Adjust gain and crossover.

Setting Gain

Turn gain knob on ThunderForm pre-amp to minimum, counter clockwise. Play a favorite tape or compact disc that contains consistent music and bass. At this point, adjust Bass and Treble settings to neutral or flat. Turn the source unit to maximum listening level. You should know that some source units will produce distortion or "clip" before the unit reaches maximum volume. Reduce volume to the loudest listening level before distortion. Turn the gain knob on the ThunderForm pre-amp clockwise until the speaker starts to distort and reduce gain to loudest listening level before distortion.

Optional- The EBC, or Electronic Bass Control, allows a remote bass control to be adjusted from the drivers' seat.

Setting Crossover

You should set the crossover to your own personal listening taste. The crossover is adjustable to any frequency between 50Hz (counterclockwise) to 150Hz (clockwise). As a guideline, the goal is to create the illusion of bass up front. The higher the crossover point the more "audibly visible" your sub is going to be. Take your time and really listen to your system, grab a soda and a few of your favorite tunes and have fun.

TROUBLESHOOTING TIPS IF AMP DOES NOT TURN ON

Check all connections at battery and that fuse is installed

Check speaker wire connections

Check ground

Check fuse on pre-amp

25. Set enclosure into place and secure the mounting bracket using the 7mm speaker mount screw. Reinstall the rear speaker cover.



For technical assistance call 1-800-CALL MTX.

These instructions are guidelines only and in no way are intended to replace a professional installation. As always before screwing or drilling check to make sure you will not damage any wires or hoses or cause damage to the vehicle.

Warning: Batteries normally produce explosive gases which can cause personal injury. Therefore, do not allow flames, sparks or lighted substances to come near the battery. When charging or working near a battery, always shield your face and protect your eyes. Always provide ventilation.