

Warranty Statement

ThunderForm Loaded Enclosures purchased in the United States from an authorized MTX dealer are guaranteed against defects in material and workmanship for a period of two years from the date purchased by the end user, and limited to the original retail purchaser of the product.

Amplified ThunderForm Enclosures purchased in the United States from an authorized MTX dealer are guaranteed against defects in material and workmanship for a period of one year from the date purchased by the end user, and limited to the original retail purchaser of the product.

Product found to be defective during that period will be repaired or replaced by MTX at no charge. This warranty is void if it is determined that unauthorized parties have attempted repairs or alterations of any nature. Warranty does not extend to cosmetics or finish. Before presuming a defect is present in the product, be certain that all related equipment and wiring is functioning properly. MTX disclaims any liability for other incurred damages resulting from product defects. Any expenses incurred in the removal and reinstallation of products are not covered by this warranty. MTX's total liability will not exceed the purchase price of the product. If a defect is present, your authorized MTX dealer may be able to effect repairs.

Proof of purchase is required when requesting service, so please retain your sales receipt and take a moment to register your product online at mtx.com.



FORD F-150 CREW CAB



Vehicle Specific Subwoofer Enclosure

Made in the USA

**MAXIMIZE YOUR SYSTEM'S
PERFORMANCE**

streetwires.com

STREETWIRES®



One Mitek Plaza, Winslow, IL. 61089
1-800-225-5689 mtx.com

READ ALL DIRECTIONS CAREFULLY BEFORE BEGINNING

MOUNTING LOCATION: The enclosure mounts under the rear seat on drivers side of Ford Super Cab/Super Crew Cab Trucks.

TOOLS REQUIRED FOR INSTALLATION:

- | | |
|---------------------|----------------------|
| Powered Screwdriver | #2 Phillips Head Bit |
| Wire Cutters | 5/16" Wrench |
| Terminal Crimpers | 10mm Wrench |

INSTALLATION: Follow the steps below

1. Place enclosure under seat with woofer firing down. Make sure enclosure is against the seat and bracket.



2. If externally amplified make speaker connections to the enclosure from the amplifier. Connect speaker wires from amplifier to enclosure, positive to red terminal and negative to black terminal.

AMPLIFIED THUNDERFORM

Routing Power Wire; we recommend a connection directly to the battery.

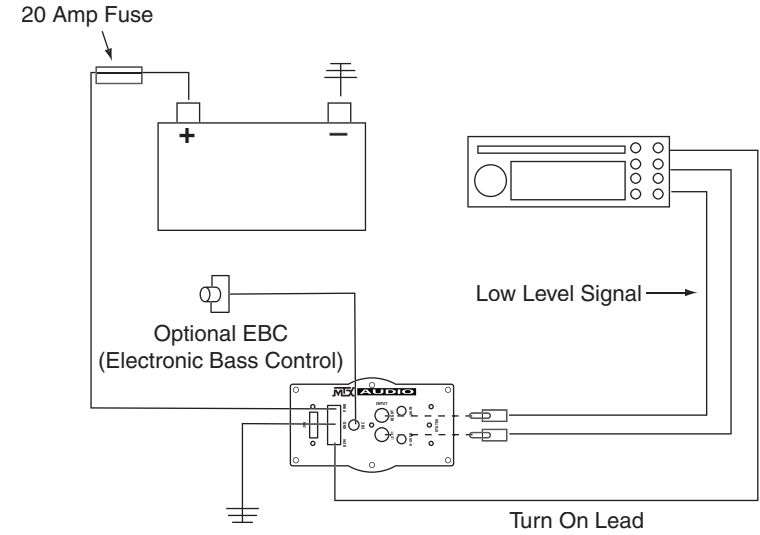
3. Remove drivers side threshold trim; pull up on trim, it will remove easily.



4. Remove rear drivers door threshold trim, pull up on trim, it will remove easily.



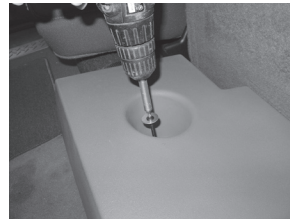
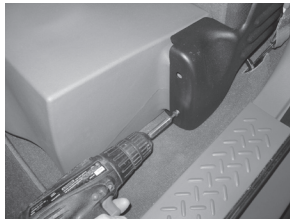
Conventional Wiring of Aftermarket Radio



19. Reinstall threshold trim. Locate and align holes in vehicle with pins on trim; and snap back into place.



20. Screw enclosure to bracket (with rear drivers door open you can screw enclosure to bracket easily). Make sure enclosure is tight against the bottom of the seat.



For technical assistance call 1-800-CALL MTX.

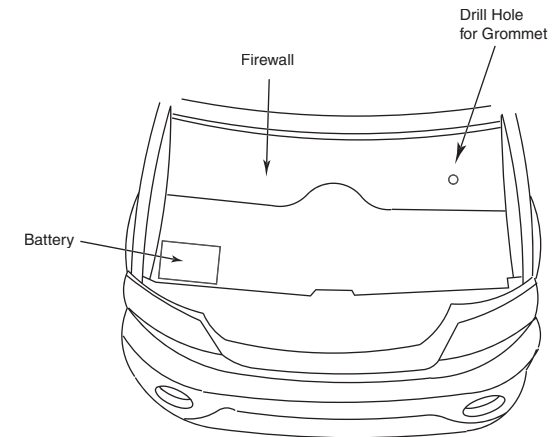
These instructions are guidelines only and in no way are intended to replace a professional installation. As always before screwing or drilling check to make sure you will not damage any wires or hoses or cause damage to the vehicle.

Warning: Batteries normally produce explosive gases which can cause personal injury. Therefore, do not allow flames, sparks or lighted substances to come near the battery. When charging or working near a battery, always shield your face and protect your eyes. Always provide ventilation.

5. Using furnished wiring harness route 10ga red power wire starting at pre-amp location. Route wire on drivers side, over to threshold and under carpet to the front of vehicle.

6. Open hood.

7. Drill a hole through the fire wall. Locate a spot low on the fire wall on the passenger side. You should always look to find a clear path. Drill a hole from inside of the vehicle into engine compartment and insert grommet. In this location you may also find a pre-existing rubber grommet to run the wire through.



Note: To avoid any damage to parts inside engine compartment, drill from inside of vehicle using a short bit.

8. Route 10ga red power wire through a grommet into the engine compartment.

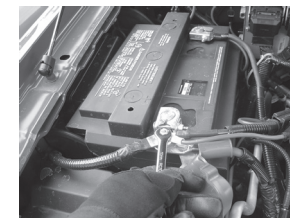
9. Route 10ga red power wire through engine compartment safely away from any moving or hot parts that could damage the wire.

10. Cut 10ga red power wire to length, connect the supplied fuse holder from the wire kit to the end of the wire.

11. Remove 20amp fuse from MTX fuse holder. Connect furnished ring terminal to positive side of battery. Remove 10mm bolt from factory battery terminal. Pass bolt through factory battery terminal, then ring terminal, and into the other side of factory battery terminal and retighten bolt.

Ignition OFF When Disconnecting Battery

Always turn the ignition OFF when connecting or disconnecting battery cables. Failing to do so may damage electronic components.



12. Ground amplifier to chassis of vehicle; connect the terminal provided to the 10ga black wire from furnished wiring harness. A good ground is as important as the power connection. The ground should be as short as possible and the contact point should be free of paint and debris.

SPEAKER WIRES

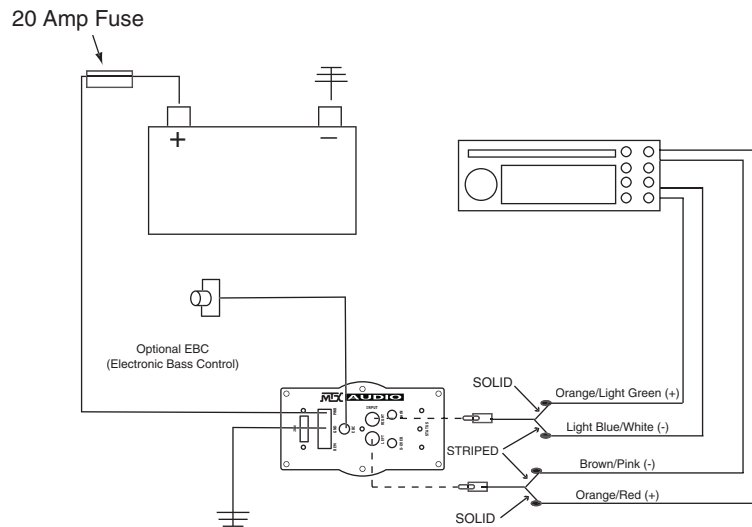
13. You can find the factory speaker wires on the drivers side of the truck under threshold trim removed in Step 3. The wire colors are left channel; grey w/light blue (positive), brown w/yellow (negative); right channel orange/red (positive), brown/pink (negative). Tap into wires with the supplied RCA High Level input wires and route over to passenger side threshold and to pre-amp of enclosure.

Although, MTX has made every effort to assure proper wiring colors, MTX is not responsible for any changes made by the vehicle manufacturer which sometime occur. If wiring colors do not match then physical verification is required.

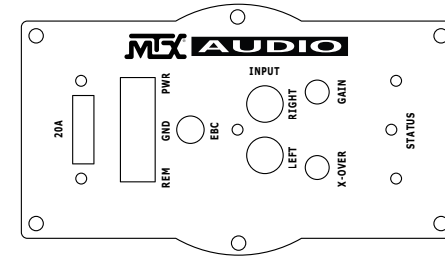
CONNECTION TO ENCLOSURE

14. Connect speaker wire RCA's to the inputs of pre-amp. You may have to loosen mounting brackets to gain access to pre-amp.

Note: Patented BTL turn on circuitry- amplifier senses DC offset provided by "high powered" or BTL type head units. This feature turns the amplifier on automatically if you are using high level inputs.



15. Plug power wire harness into amplifier pre-amp.



16. Replace 20amp fuse under hood.

17. When amp turns on, LED will display red during diagnostic mode, and then green, signaling amp is on and functioning. Amp will only turn on when radio is on.

18. Adjust gain and crossover.

Setting Gain

Turn gain knob on ThunderBox pre-amp to minimum, counter clockwise. Play a favorite tape or compact disc that contains consistent music and bass. Turn the source unit to maximum listening level. You may want to turn down the bass slightly on the source unit. You should know that some source units will produce distortion or "clip" before the unit reaches maximum volume. Reduce volume to the loudest listening level before distortion. Turn the gain knob on the ThunderBox pre-amp clockwise until the speaker starts to distort and reduce gain to loudest listening level before distortion.

Optional- The EBC, or Electronic Bass Control, allows a remote bass control to be adjusted from the driver's seat.

Setting Crossover

You should set the crossover to your own personal listening taste. The crossover is adjustable to any frequency between 50Hz (counterclockwise) to 150Hz (clockwise). As a guideline, the goal is to create the illusion of bass up front. The higher the crossover point the more "audibly visible" your sub is going to be. Take your time and really listen to your system, grab a soda and a few of your favorite tunes and have fun.

TROUBLESHOOTING TIPS IF AMP DOES NOT TURN ON

Check all connections at battery and that fuse is installed

Check speaker wire connections

Check ground

Check fuse on pre-amp