

BASS SLAMMER™

F150C04

Enclosure Volume: .89 Cubic Foot, Sealed

READ ALL DIRECTIONS CAREFULLY BEFORE BEGINNING

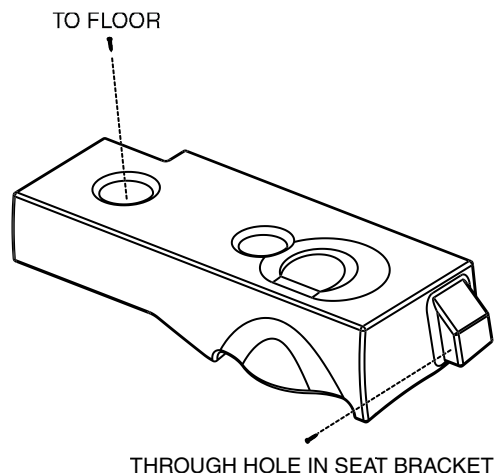
MOUNTING LOCATION: The enclosure mounts under the rear passenger seat of Ford Extended/Crew Cab Trucks.

TOOLS FOR INSTALLATION:

Powered Screwdriver	7/16" Socket
#2 Phillips Head Bit	5/16" Wrench
T-50 Torx	

INSTALLATION: Follow the steps below

1. Connect black wire to the negative side of woofer and red to the positive side. Using screws provided install woofer into enclosure, making sure not to overtighten screws to avoid stripping.
2. Place enclosure under rear seat on drivers side with woofer firing down. Then proceed to Step 3.



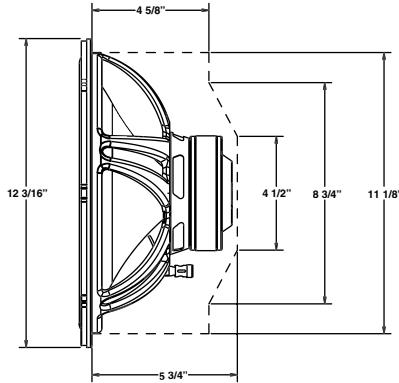
3. Make speaker connections to the enclosure from the amplifier. Connect speaker wires from amplifier to enclosure, positive to red terminal and negative to black terminal.
4. Screw down enclosure (with rear driver door open you can screw enclosure to bracket easily). Make sure enclosure is tight against the bottom of the seat.

FACTORY SPEAKER WIRE COLORS

The speaker wires are located under threshold on passengers side. Colors are left side, orange/light green (positive), light blue/white (negative). Right side, orange/red (positive), brown/pink (negative).

Although every effort has been made to assure proper wiring color, Mitek is not responsible for any changes made by the vehicle manufacturer which sometime occur. If wiring colors do not match then physical verification is required. These instructions are guidelines only and in no way are intended to replace a professional installation. As always before screwing and drilling check to make sure you will not damage wires, hoses or cause damage to the vehicle.

MAXIMUM ENCLOSURE MOUNTING SPECIFICATIONS



**MAXIMIZE YOUR SYSTEM'S
PERFORMANCE**

streetwires.com

STREETWIRES®