

Warranty Statement

ThunderForm Loaded Enclosures purchased in the United States from an authorized MTX dealer are guaranteed against defects in material and workmanship for a period of two years from the date purchased by the end user, and limited to the original retail purchaser of the product.

Amplified ThunderForm Enclosures purchased in the United States from an authorized MTX dealer are guaranteed against defects in material and workmanship for a period of one year from the date purchased by the end user, and limited to the original retail purchaser of the product.

Product found to be defective during that period will be repaired or replaced by MTX at no charge. This warranty is void if it is determined that unauthorized parties have attempted repairs or alterations of any nature. Warranty does not extend to cosmetics or finish. Before presuming a defect is present in the product, be certain that all related equipment and wiring is functioning properly. MTX disclaims any liability for other incurred damages resulting from product defects. Any expenses incurred in the removal and reinstallation of products are not covered by this warranty. MTX's total liability will not exceed the purchase price of the product. If a defect is present, your authorized MTX dealer may be able to effect repairs.

Proof of purchase is required when requesting service, so please retain your sales receipt and take a moment to register your warranty online at www.mtx.com.

MTX

THUNDERFORM®

FORD RANGER

And Mazda B Series



Make Sure You Get Enough!

Connect with StreetWires,
the professional installer's
choice

STREETWIRES®

streetwires.com

MTX

One Mitek Plaza, Winslow, IL. 61089
1-800-225-5689 www.mtx.com

Vehicle Specific Subwoofer Enclosure

Made in the USA

READ ALL DIRECTIONS CAREFULLY BEFORE BEGINNING

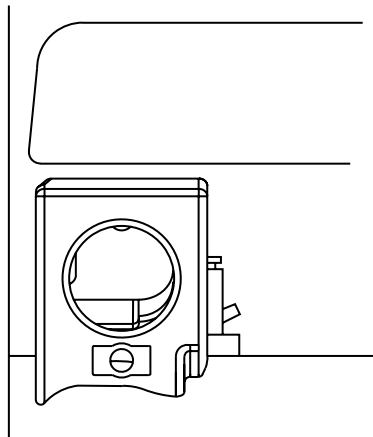
MOUNTING LOCATION: The enclosure mounts directly behind the passenger seat in the 1993-1997 Ranger or Mazda B-Series regular cab trucks.

TOOLS REQUIRED FOR INSTALLATION:

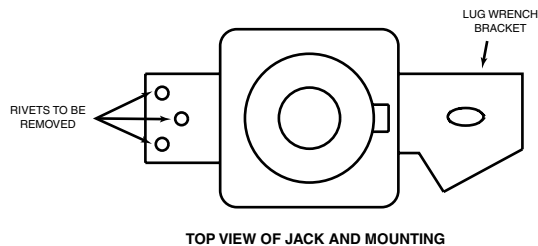
- | | |
|---------------------------|----------------|
| Phillips Head Screwdriver | Ratchet |
| 5/16" Socket | Wire Crimper |
| Wire Cutters | 3/8" Drill Bit |
| Power Drill | 7/32" Socket |

INSTALLATION: Follow the steps below

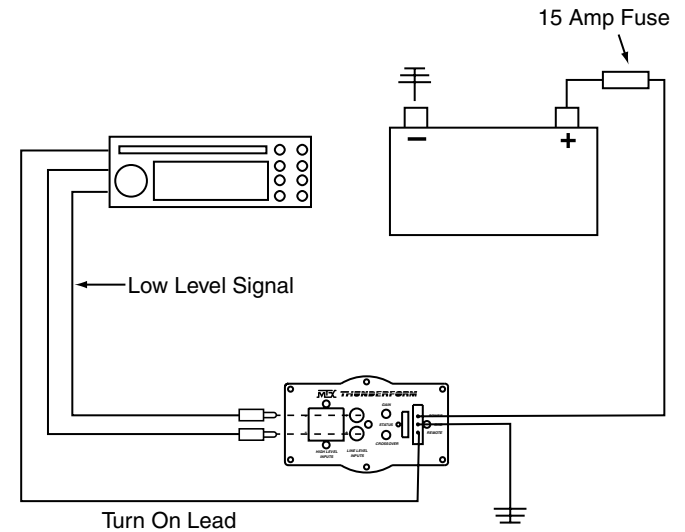
1. Place enclosure behind passenger seat as shown below. Do not mount yet.



Note: On 1993 and 1994 model years, the jack handle mounting bolt is under the box bottom, you will need to remove the bolt and relocate the jack handle. On 1995 model year the jack needs to be moved over to the right side of the vehicle slightly, drill out the three pop rivets holding the jack base relocate the bracket to driver's side. Mark location, re-drill three holes and pop rivet into place. Replace the pop rivets in old holes



Conventional Wiring of Aftermarket Radio



sion of bass up front. The higher the crossover point the more “audibly visible” your sub is going to be. Take your time and really listen to your system, grab a soda and a few of your favorite tunes and have fun.

TROUBLESHOOTING TIPS IF AMP DOES NOT TURN ON

Check all connections at battery and that fuse is installed

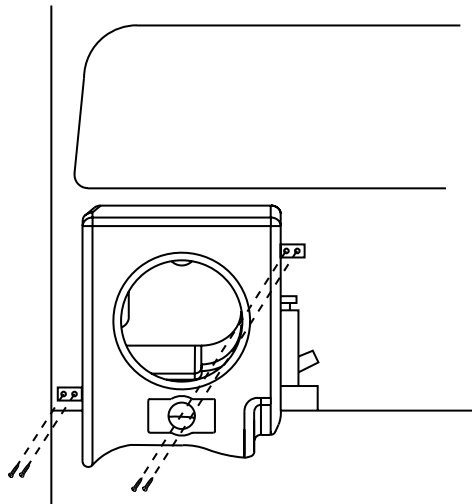
Check speaker wire connections

Check ground

Check fuse on pre-amp

17. Reinstall kick panel on driver side. Replace threshold trim panel.

18. Screw enclosure into place using hardware provided, as shown below.



For technical assistance call 1-800-CALL MTX.

These instructions are guidelines only and in no way are intended to replace a professional installation. As always before screwing or drilling check to make sure you will not damage any wires or hoses or cause damage to the vehicle.

Warning: Batteries normally produce explosive gases which can cause personal injury. Therefore, do not allow flames, sparks or lighted substances to come near the battery. When charging or working near a battery, always shield your face and protect your eyes. Always provide ventilation.

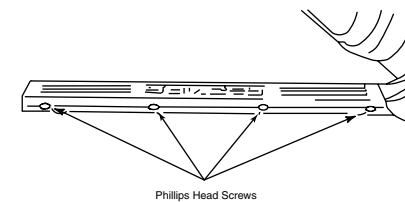
2. If externally amplified make speaker connections to the enclosure from your amplifier; loosen terminal knobs (a 13mm nut driver can be used). Connect wires from amplifier to enclosure, positive to red terminal knob and negative to black terminal knob. Refer to Step 18 for mounting directions.

Suggestion: For a custom install, remove driver and screw into back of enclosure into rear of truck. Install driver.

AMPLIFIED THUNDERFORM

Routing Power Wire; we recommend a connection directly to the battery.

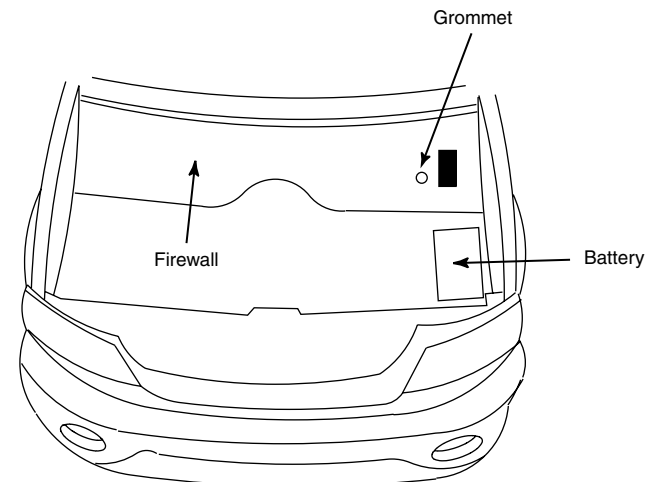
3. Remove drivers' side threshold trim: remove four phillips head screws and pull up on trim it will release easily.



4. Remove drivers side kick panel, pull from bottom it will unsnap easily.

5. Route 10ga red power wire from furnished wiring harness starting at pre-amp location. Route wire on driver's side, over to threshold and under carpet and kick panel to the front of the vehicle.

6. Drill a hole through the fire wall. Locate a spot low on the fire wall. You should always look to find a clear path. Drill a hole from inside of vehicle into engine compartment and insert grommet.

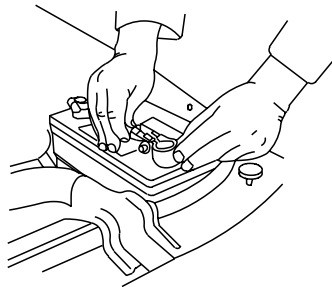


Note: To avoid any damage to parts inside engine compartment, drill from inside of vehicle using a short bit.

7. Route wire safely through engine compartment, avoiding any moving or extremely hot parts that would damage wire.

8. Cut 10ga red wire to length at battery and connect fuse holder to end of wire.

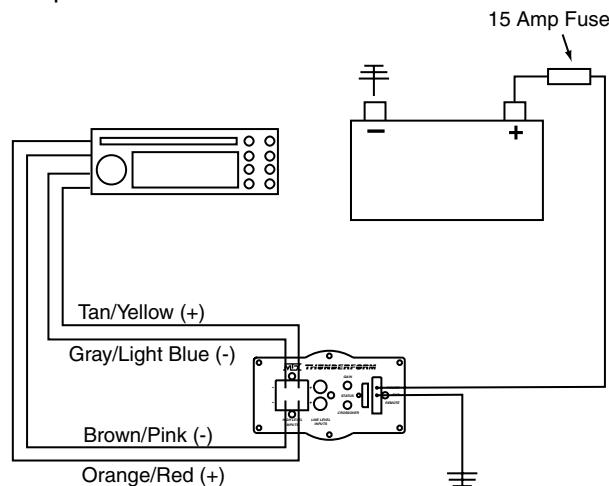
9. Remove 15amp fuse from MTX fuse holder and connect ring terminal to positive side of battery. By removing 5/16 bolt from factory battery terminal (lift the small tab on the factory battery terminal to allow rotation and removal of 5/16 bolt). Pass 5/16 bolt through factory battery terminal then ring terminal and into other side of factory battery terminal and retighten.



10. Ground amplifier to chassis of vehicle; connect the terminal provided to the 10ga black wire from furnished wiring harness. A good ground is as important as the power connection. The ground should be as short as possible and the contact point should be free of paint and debris.

SPEAKER WIRES

11. Under carpet on drivers' side threshold locate the rear speaker wires. Colors are left side, tan/yellow (positive), gray/light blue (negative). Right side, orange/red (positive), brown/pink (negative). Tap into wires and route to pre-amp of enclosure.



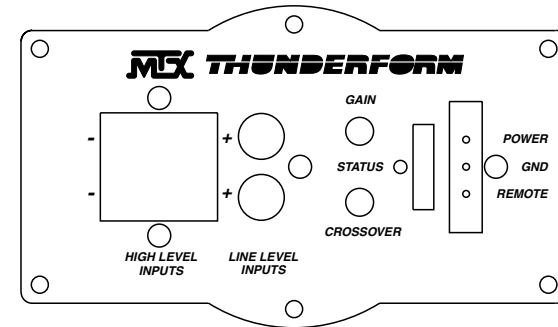
Although, MTX has made every effort to assure proper wiring colors, MTX is not responsible for any changes made by the vehicle manufacturer which sometime occur. If wiring colors do not match then physical verification is required.

CONNECTION TO ENCLOSURE

12. Connect speaker wires to high level inputs of pre-amp.

Note: Patented BTL turn on circuitry- amplifier senses DC offset provided by "high powered" or BTL type head units. This feature turns the amplifier on automatically if you are using high level inputs.

13. Plug power harness into amplifier pre-amp.



14. Replace 15amp fuse under hood.

15. When amp turns on, LED will display red during diagnostic mode and then to green, signaling amp is on and functioning (amp will only turn on when radio is on).

16. Adjust gain and crossover.

Setting Gain

Turn gain knob on Thunderform pre-amp to minimum, counter clockwise. Play a favorite tape or compact disc that contains consistent music and bass. Turn the source unit to maximum listening level. You should know that some source units will produce distortion or "clip" before the unit reaches maximum volume. Reduce volume to the loudest listening level before distortion. Turn the gain knob on the Thunderform pre-amp clockwise until the speaker starts to distort and reduce gain to loudest listening level before distortion.

Setting Crossover

You should set the crossover to your own personal listening taste. The crossover is adjustable to any frequency between 50Hz (counterclockwise) to 150Hz (clockwise). As a guideline, the goal is to create the illu-